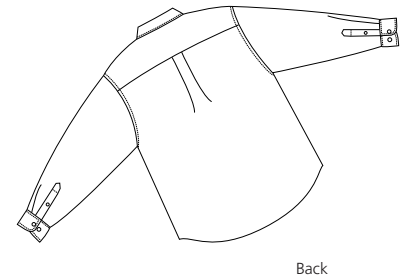
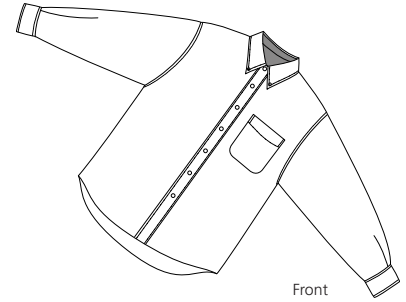


Extended Sized Long Sleeve Easy Care Shirt

PORT AUTHORITY®



S608ES

- * 4.5-ounce * 55/45 cotton/poly * Box back pleat
- * Contrast color inside the back yoke and collar * Dyed-to-match buttons
- * Button-through sleeve plackets * Adjustable cuffs * Button-down collar
- * Single patch pocket

Care Instructions:

Machine wash warm with like colors.
Only non chlorine bleach when needed.
Tumble dry low.
Warm iron if necessary.

Finished Measurements in Inches

Size	7XL	8XL	9XL	10XL
Chest	38.5	40	41.5	43
Body	37.5	37.75	38	38.5
Sleeve	42	42	42	42
Collar	20.75	21.25	21.75	22.25
Pocket	5.5X6.25	5.5X6.25	6X6.5	6X6.5

Chest width measured 1" below arm hole. Body length from back neck seam to hem.
Sleeve length from center back neck seam to hem. Collar measured by circumference. Pocket WxH.

Color Chart

Shirt Colors	Athletic Gold	Black	Burgundy	Classic Navy	Coffee Bean	Court Green
Textile PMS	14-1064TC	19-4203TC	19-1617TC	19-4015TC		
General PMS	7409C	Process Black	505C	532C		
Shirt Colors	Dark Green	Eggplant	Harvest Gold	Hibiscus	Light Blue	Light Pink
Textile PMS	19-5213TC				15-3920TC	
General PMS	5467C				283C	
Shirt Colors	Light Stone	Mediterranean	Navy	Purple	Red	Royal
Textile PMS	13-0905TC		19-3920TC	19-3632TC	19-1762TC	19-3952TC
General PMS	7527C		533C	274C	201C	661C
Shirt Colors	Steel Grey	Stone	Texas Orange	Tropical Pink	White	Yellow
Textile PMS					11-0601TC	
General PMS					No Match	

Colors

Athletic Gold/ Light Stone	Black/ Light Stone
Burgundy/ Light Stone	Classic Navy/ Light Stone
Coffee Bean/ Light Stone	Court Green/ Court Green
Dark Green/ Navy	Eggplant/ Light Stone
Harvest Gold/ Harvest Gold	Hibiscus/ Hibiscus
Light Blue/ Light Stone	Light Pink/ Light Pink
Light Stone/ Classic Navy*	Mediterranean Blue/Mediterranean Blue
Navy/ Light Stone	Purple/ Light Stone
Red/ Light Stone	Royal/ Classic Navy
Steel Grey/ Light Stone	Stone/ Stone
Texas Orange/ Light Stone	Tropical Pink/ Tropical Pink
White/ Light Stone*	Yellow/ Yellow

Please Note:

Colors shown are approximate and for reference only. For closest match see PMS colors, or for exact match, returnable samples and grommeted samples are available.

*No contrast color in back yoke